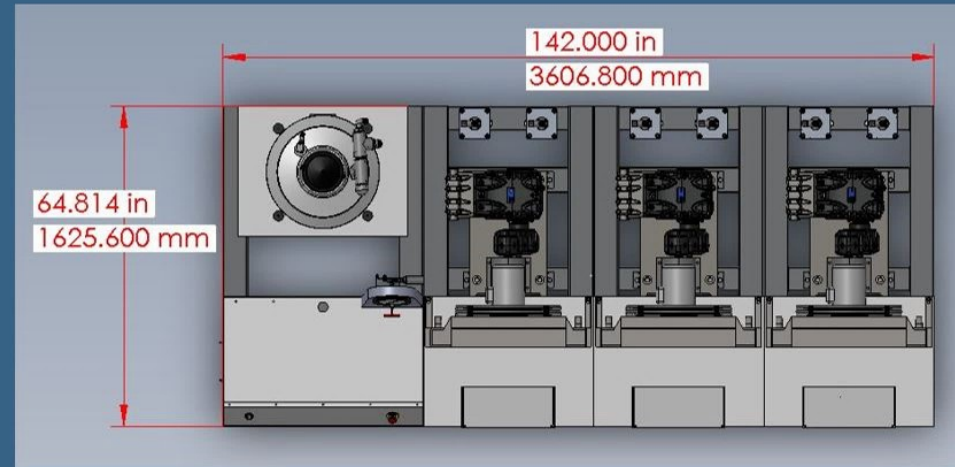


Galiso Cycle Tester

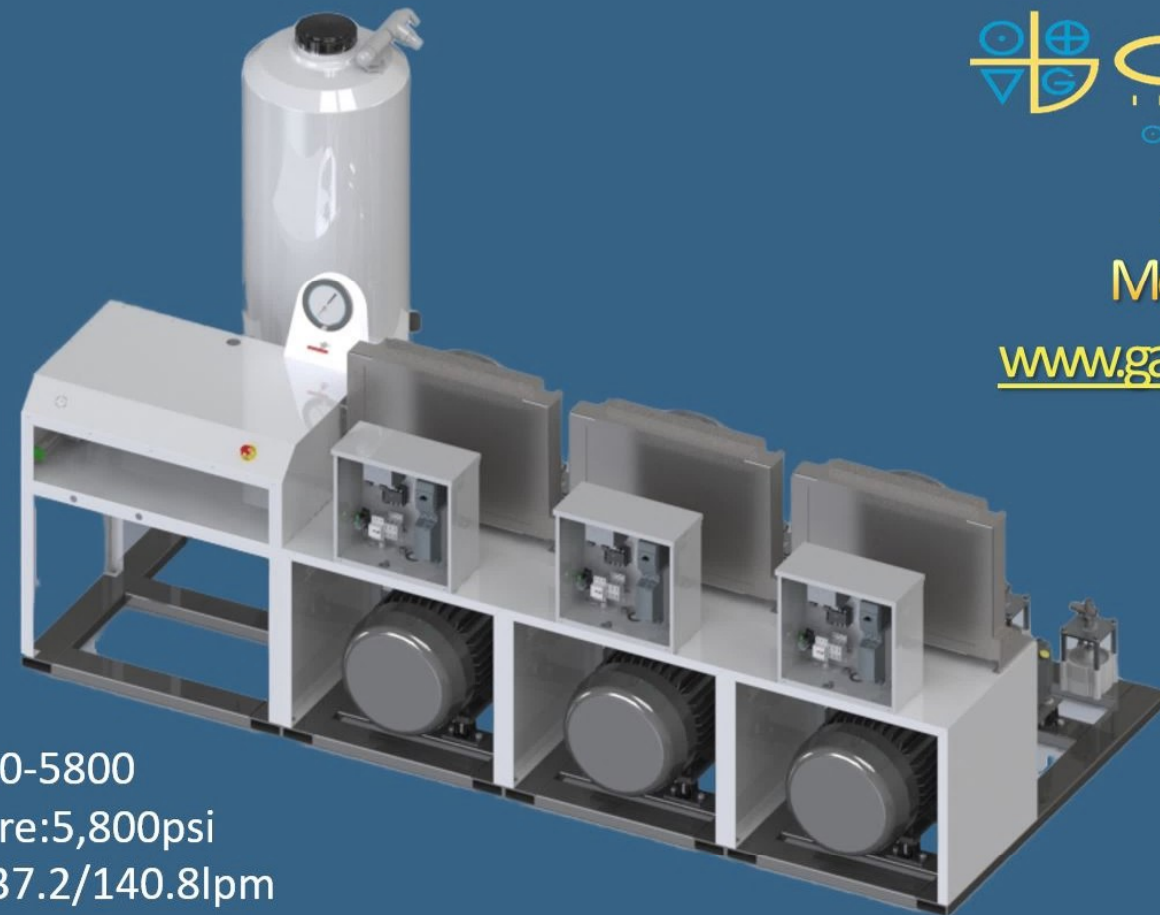
- Windows 10 professional PC operator interface and data collection computer networked to PLC control and customer network
- 21" Flat panel display monitor
- Optional Barcode test operation control and cylinder serial number entry
- Test information is easily imported into Excel spreadsheet.
- Test data is stored locally and can be stored on additional network database location.
- .25% Accuracy or better Transducer and Analog Gauge (can be isolated during testing)



Specifications

Console w/ Skid dimensions ... 142" L x 64.8" W x 56" H.
Electrical Components 110v or 220v 50/60hz
Motor 460v 3 phase 50/60hz 60Amps x 3
Air ... 7-10cfm @ 90psi
Water Supply ... 2.75 – 3 Bar

Reservoir 280L
(Larger Available)



GCT150-5800

Pressure:5,800psi

Flow: 37.2/140.8lpm

Medium: Water



22 Ponderosa Ct

Montrose, CO 81401

www.galiso.com (800)854-3789

GCT50-5800

Pressure:5,800psi

Flow: 12.4gpm

Medium: Water

Cycle frequency is controllable up to 15 cycles per minute within system pressure. Cycle results are documented in chart form showing pressure verses time by cycle number. The Cycle Test System incorporates PLC and computer technology to provide fast, accurate, reliable cylinder cycle testing. The flexible platform with PLC controls accommodates a variety of system component options.