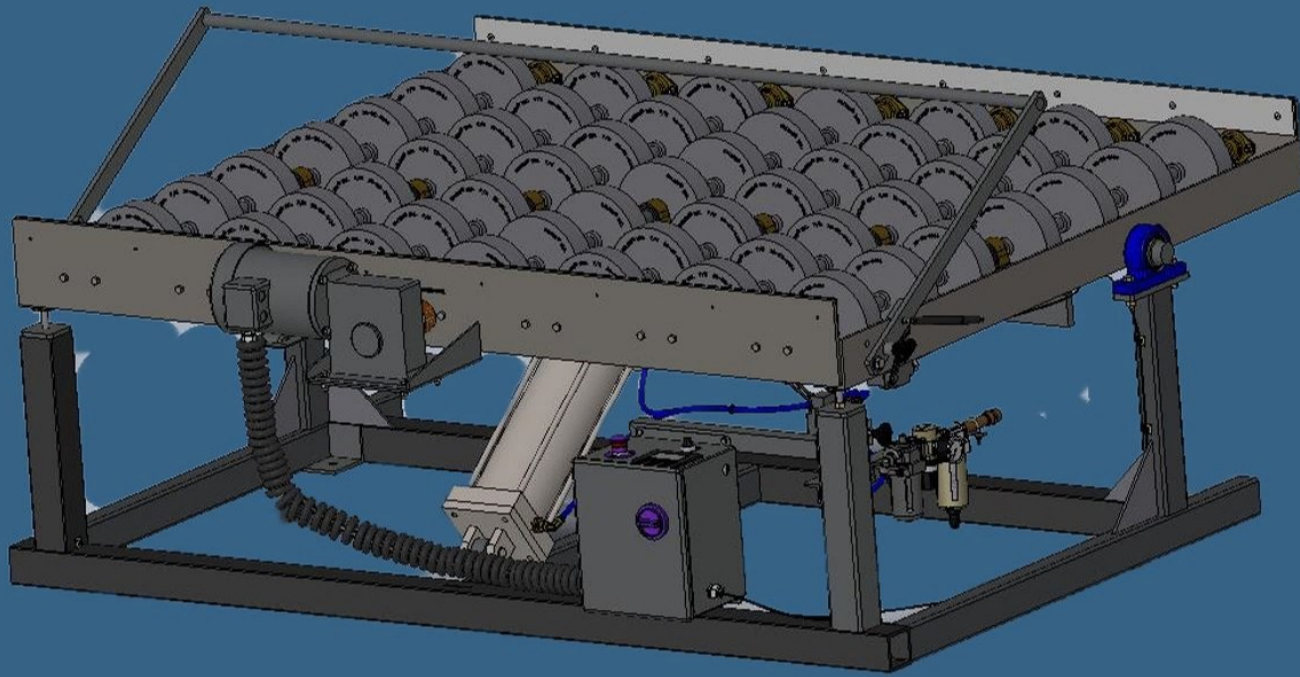


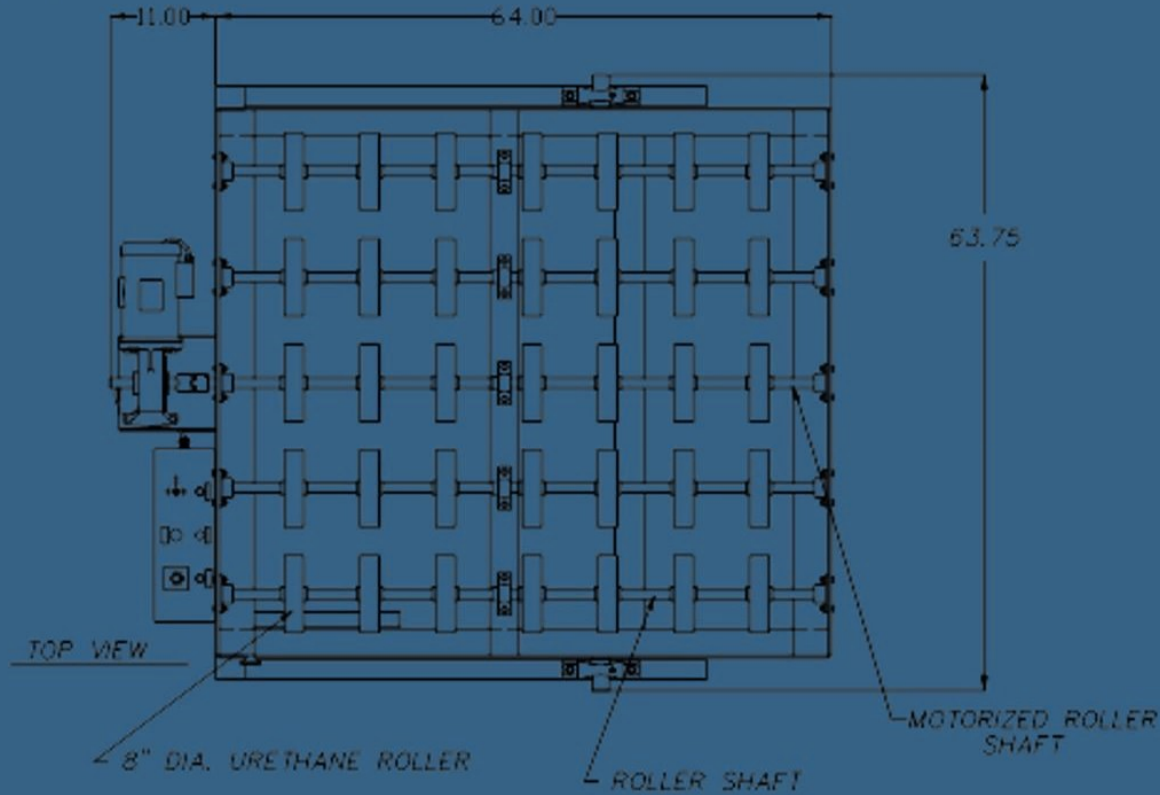
LCR-4-PT & LCR-6-PT Loading Cylinder Rollers



22 Ponderosa Ct

Montrose, CO 81401

www.galiso.com (800)854-3789



FEATURES ****** See VIDEO Below******

The LCR simplifies the process of cylinder rolling and tumbling by eliminating the need to lift heavy cylinders onto a stationary machine. The base of the unit is made of structural steel. The cylinder rack of the LCR pivots up to allow standard 10 5/8" diameter by 62" tall cylinders to be easily loaded onto the rack. When loaded the rack tilts down into the horizontal rolling position.

The loading cylinder rollers are equipped with a timing device that controls the duration and direction of cylinders rotation to more efficiently accomplish cleaning and mixing operations.

OPERATIONS

A heavy-duty air piston lifts the cylinder rack into the vertical position for loading.

After the cylinders are placed, the operator pushes a control valve and the rack pivots to the horizontal position for tumbling.

Cylinders are rolled in either direction on 8-inch diameter neoprene rollers mounted on heavy steel shafts driven by a powerful motor.

E-Stop

Maximum Cylinder Load 4 , 6

4 ea. 10 5/8" Diameter x 62 " Tall , 6 ea. 10 5/8" Diameter x 62 " Tall

SPECIFICATIONS

Dimensions	LCR-4-PT.....	76" L x 64" W x 35" H
Dimensions	LCR-6-PT.....	76" L x 85" W x 35" H
Timer.....	6 programmable, 1-999 minutes each direction, 1-999min Total	
RPM.....	Programmable each direction	10-90RPM
Electrical.....	2.7 Amps, 220 Volts; 1.35 Amps, 440 Volt, 50/60 Hz 3-Phas	
Air.....	17CFM @ 90PSI (Intermittent)	

All Pneumatic Option



Anti-Static Option

